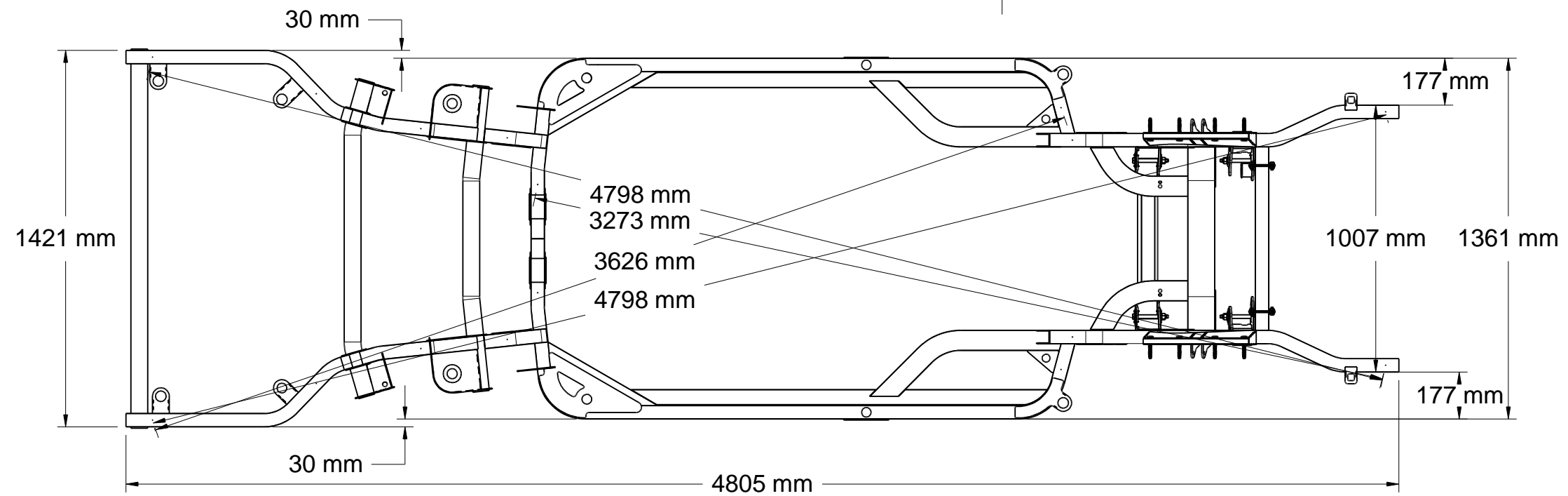


REVISIONS				
ZONE	REV	DESCRIPTION	DATE	APPROVED



Material:	DRAWN LLS	DATE 08-04-2013	Frame Assembly - Initial			
	CHECKED					
	QA					
	MFG		SIZE B	FSCM NO.	DWG NO. 410-0053	REV A
	APPROVED		SCALE	SHEET 1 of 1		
Qty Req'd: 1						