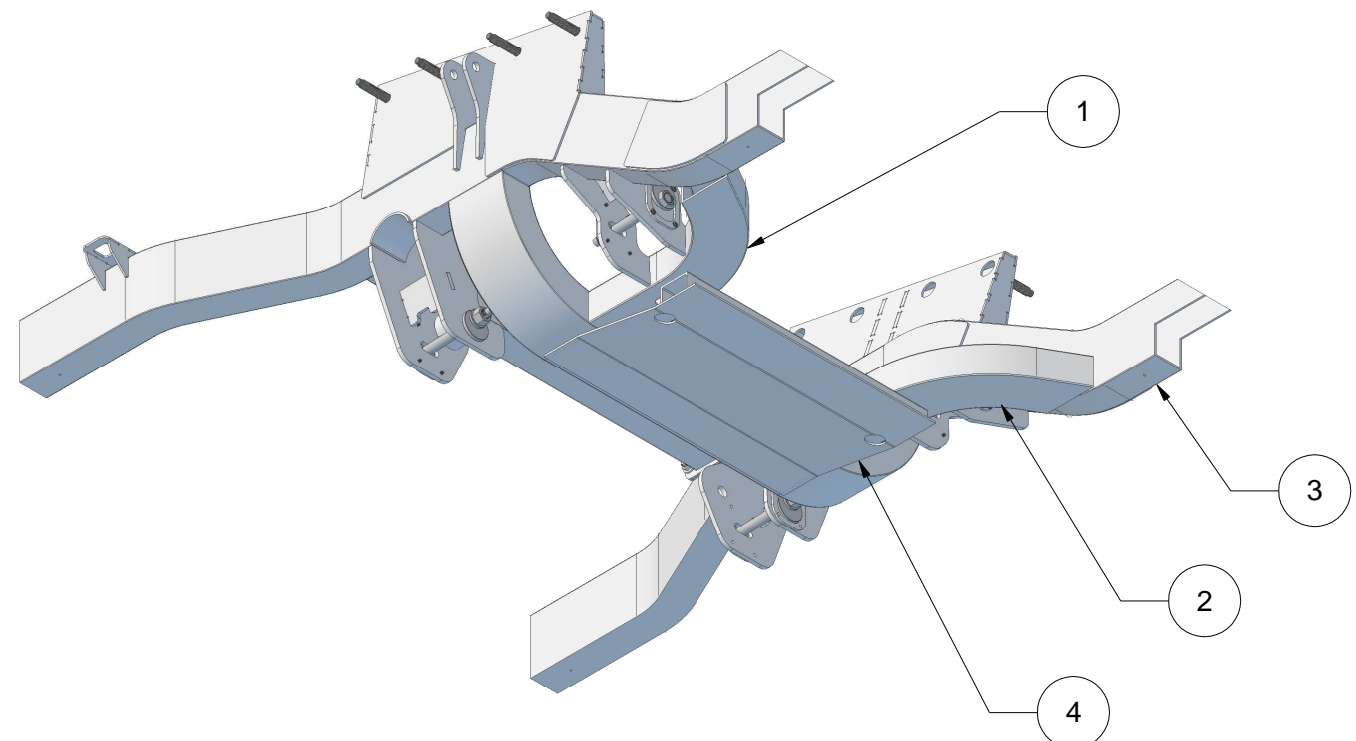




| REVISIONS | | | | |
|-----------|-----|-------------|------|----------|
| ZONE | REV | DESCRIPTION | DATE | APPROVED |
| | | | | |



| Item | Qty | Part Number | Rev | Part Name |
|------|-----|-------------|-----|-----------------------------------|
| 1 | 1 | 408-0063 | A | Engine Mount - Right |
| 2 | 1 | 408-0068 | A | Engine Mount - Left |
| 3 | 1 | 410-0022 | A | Front Subframe - Initial Assembly |
| 4 | 1 | 410-0042 | A | Skid Plate Assembly |

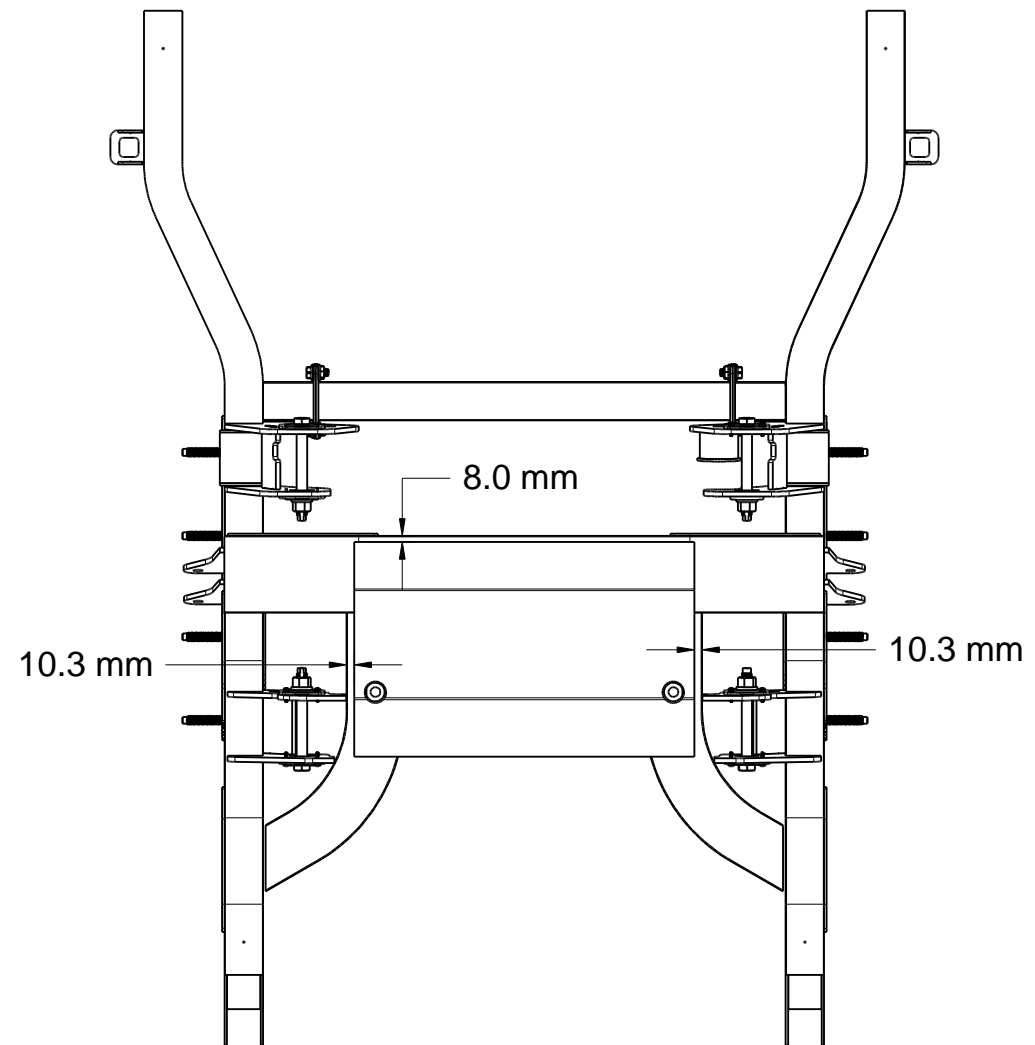
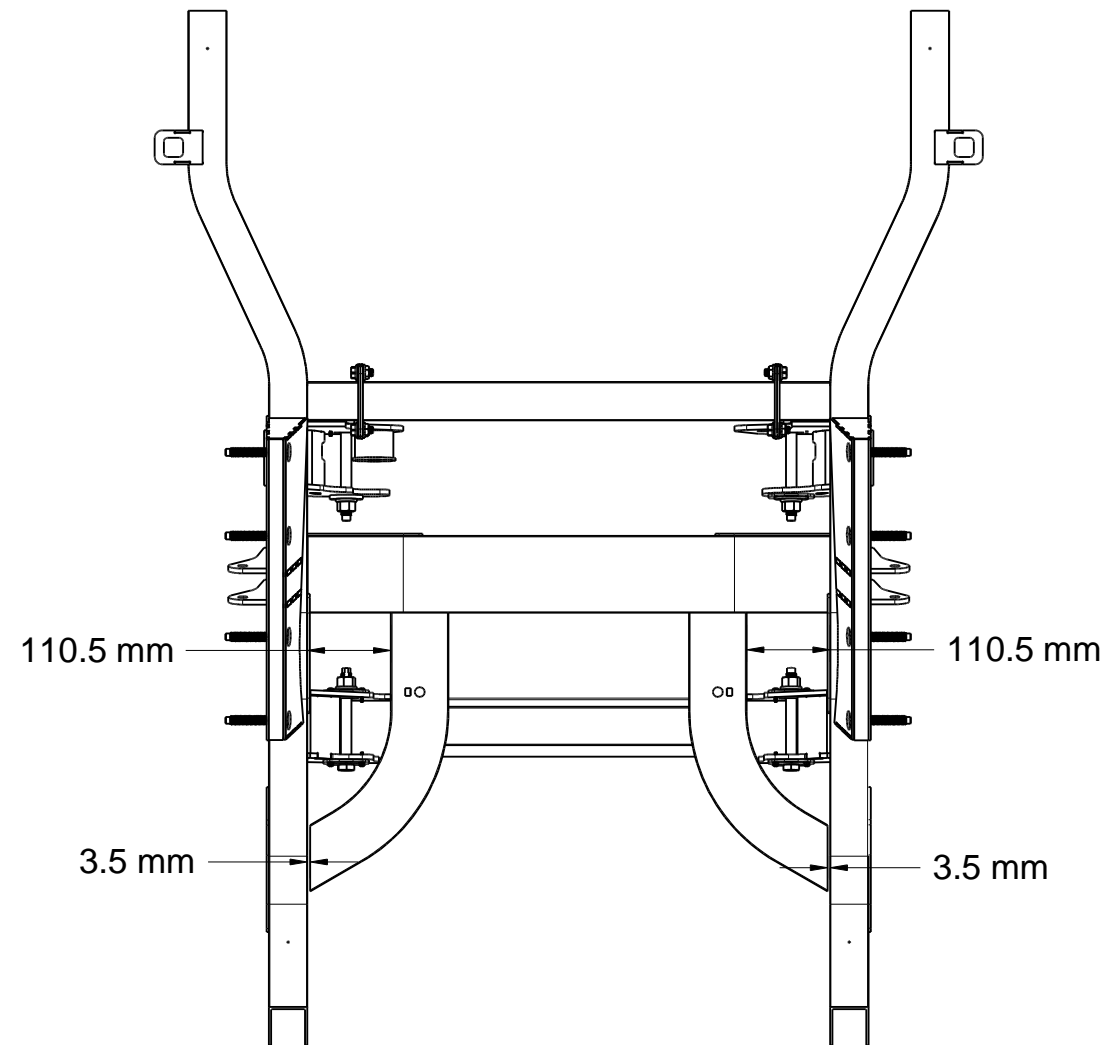


| | | | | | |
|---------------------|--------------|--------------------|--------------------------------|----------|----------------------------|
| Material: | DRAWN LLS | DATE 08/03/2013 | Front Subframe Assembly | | |
| | CHECKED | | | | |
| | QA | | SIZE B | FSCM NO. | DWG NO. 410-0023 |
| | MFG | | SCALE | | SHEET 1 of 1 |
| Qty Req'd: 1 | APPROVED | | | | |





| REVISIONS | | | | |
|-----------|-----|-------------|------|----------|
| ZONE | REV | DESCRIPTION | DATE | APPROVED |
| | | | | |



| | | | |
|------------------|----------|----------------------------|-----------------|
| SIZE B | FSCM NO. | DWG NO. 410-0023 | REV A |
| SCALE | SHEET | | |