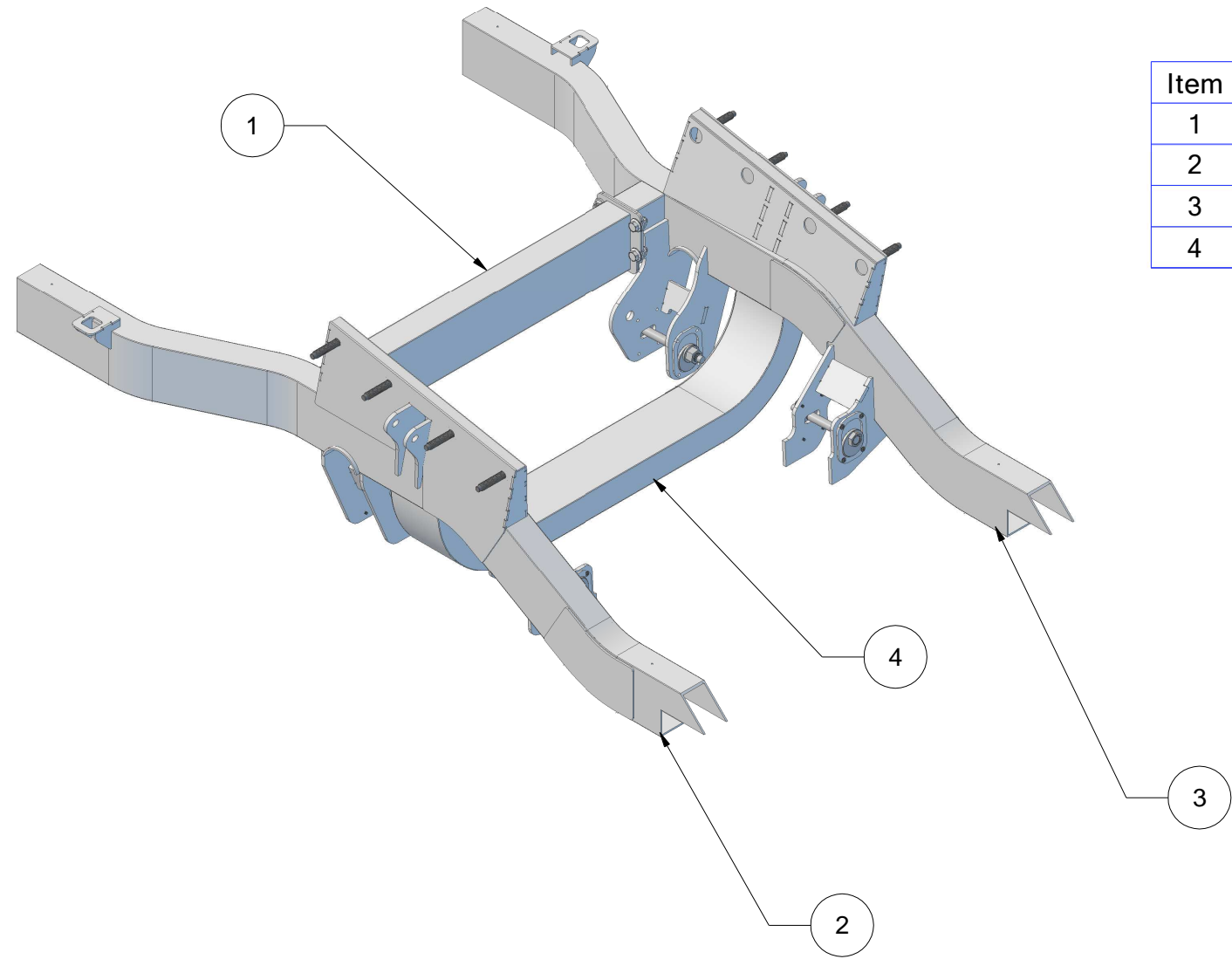


REVISIONS				
ZONE	REV	DESCRIPTION	DATE	APPROVED

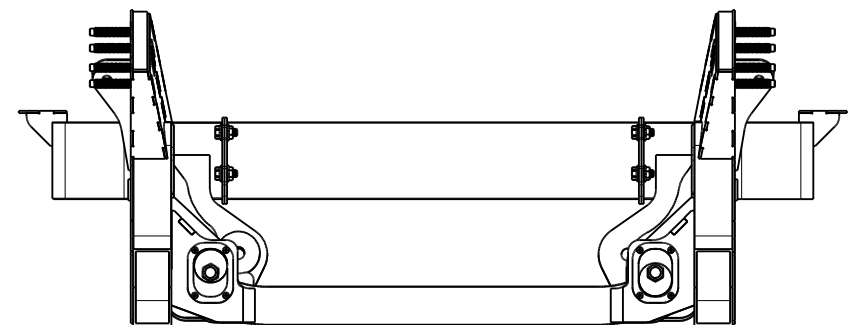
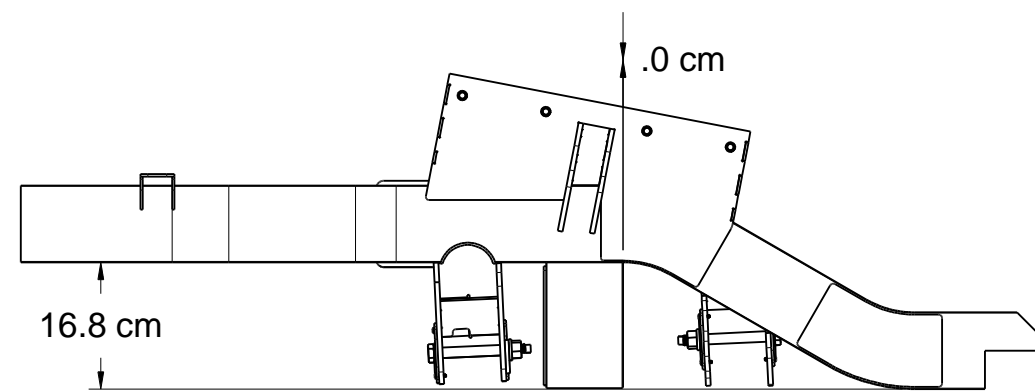
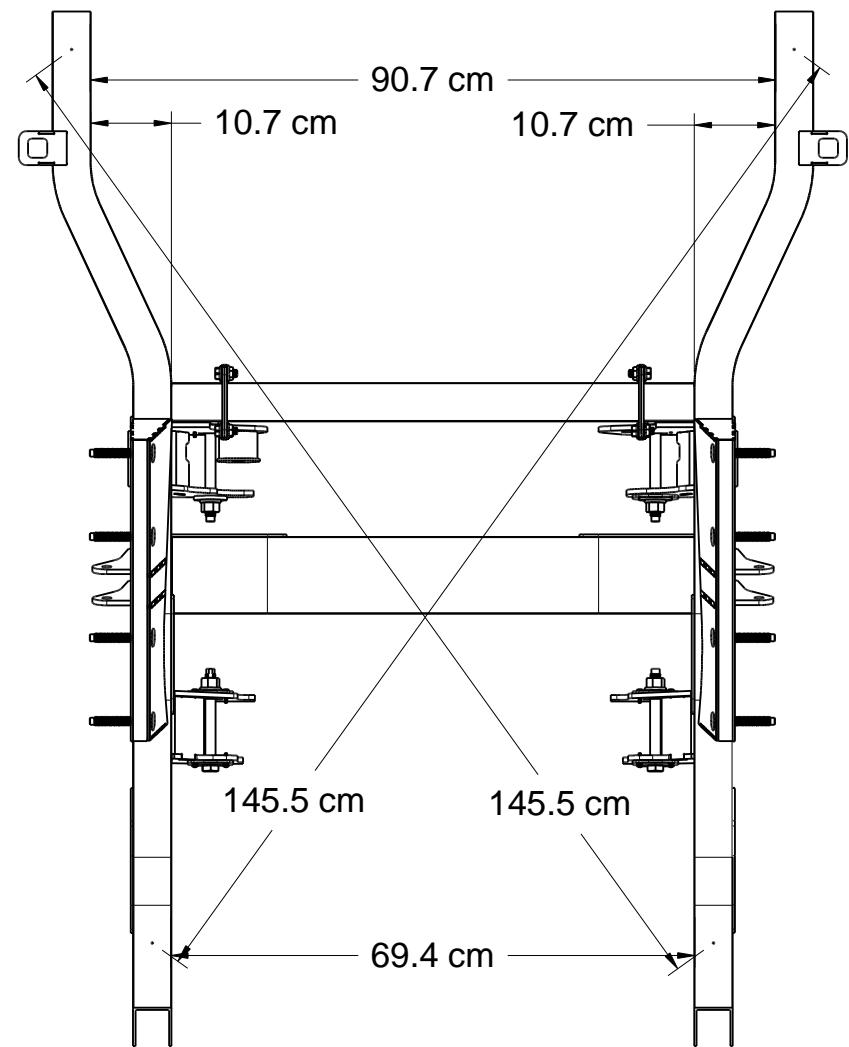


Item	Qty	Part Number	Rev	Part Name
1	1	410-0034	A	Front Crossmember Assembly
2	1	410-0039	A	Left Front Frame & IFS Assembly
3	1	410-0040	A	Right Front Frame & IFS Assembly
4	1	410-0041	A	Engine Crossmember Assembly

Material:	DRAWN LLS	DATE 08/03/2013	Front Subframe - Initial Assembly			
	CHECKED					
	QA					
	MFG		SIZE B	FSCM NO.	DWG NO. 410-0022	REV A
Qty Req'd: 1	APPROVED		SCALE		SHEET 1 of 1	



REVISIONS				
ZONE	REV	DESCRIPTION	DATE	APPROVED



SIZE B	FSCM NO.	DWG NO. 410-0022	REV A
SCALE	SHEET		