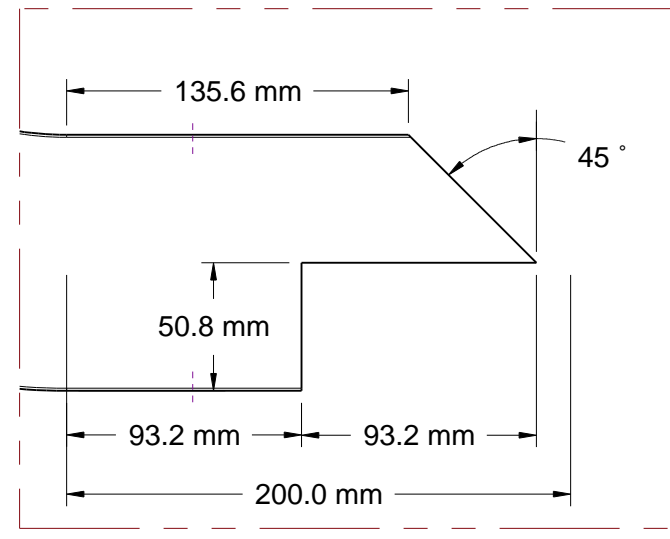
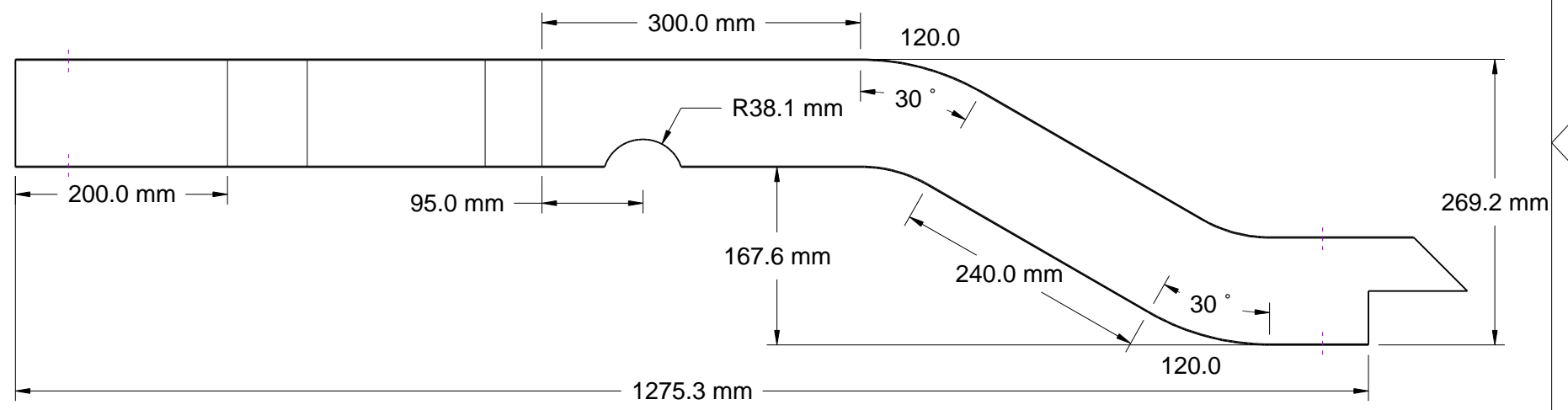
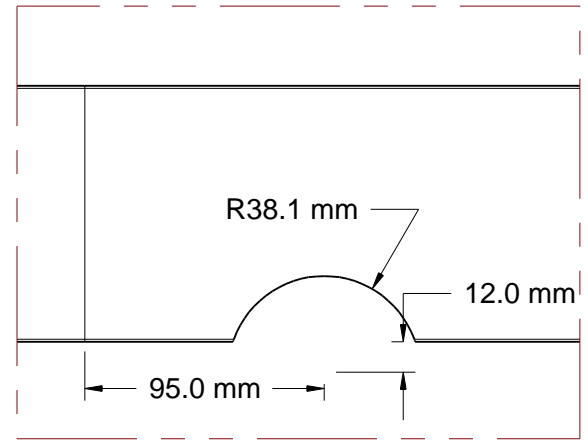
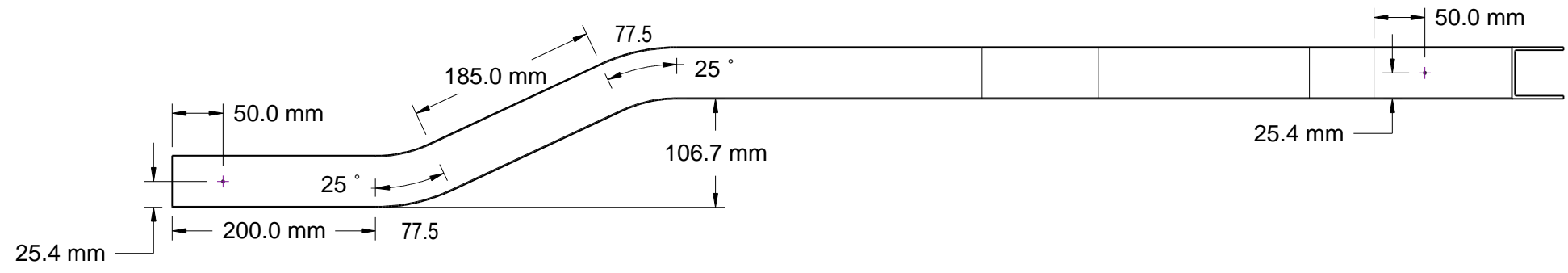


REVISIONS				
ZONE	REV	DESCRIPTION	DATE	APPROVED



1,520 mm Pre-Bent Length

Material: 2"x4", 0.12" wall Steel Tube Qty Req'd: 1	DRAWN	DATE	Left Front Frame Rail			
	CHECKED					
	QA		SIZE	FSCM NO.	DWG NO.	REV
	MFG		B		408-0055	B
	APPROVED		SCALE		SHEET	1 of 2